



Monk 4175  
Duke 4176  
Count 4177



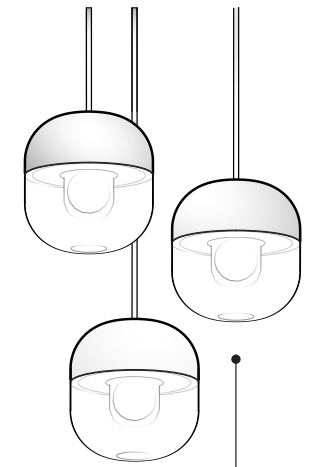
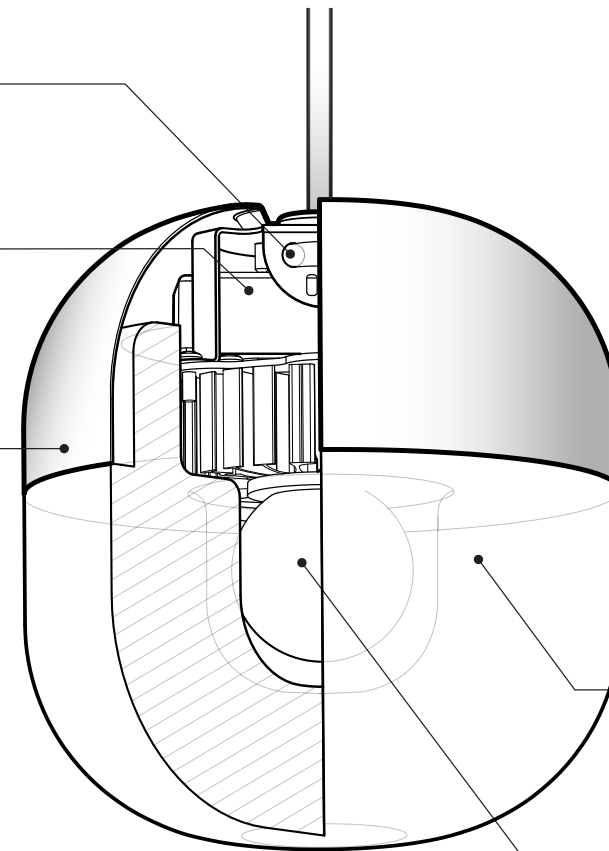
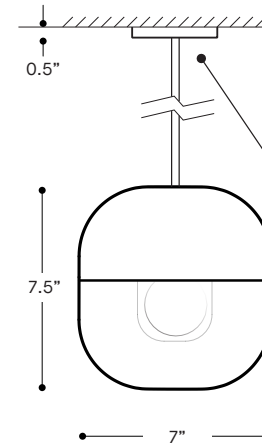


## TECHNICAL DATA

**INTELLIGENT ASSEMBLY**  
An internal bracketing system provides rigid strain relief for a clean and stable assembly.

**UNDER THE HOOD**  
Each fixture contains an on-board DV or DP driver that has been air gapped from the heat sink to provide optimum operating conditions.

**OPULENT OPTIONS**  
Available in a variety of finely curated finishes to refine any given project.



**SQUAD GOALS**  
An ideal fixture for clustering and combination, capable of filling and brightening large spaces.

NOTE: Multiple junction boxes required.

**ARTISAN CRYSTAL**  
A handmade crystal core provides an elegant optical experience and dramatic sense of raw luxury.

NOTE: This fixture weighs 15lb and must be installed according to corresponding standards.

**MAGNETIC ATTRACTION**  
A magnetic canopy system provides a clean aesthetic while facilitating an easy installation process.

**LIGHT WORK**  
13 Watts of high performance LED power is softly diffused through an integrated polycarbonate diffuser.

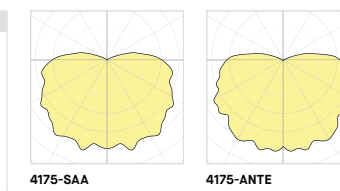
PRODUCT SPECIFICATION	4175-SAA	4175-ANTE
-----------------------	----------	-----------

PERFORMANCE		
SYSTEM WATTAGE	13 W	13 W
DELIVERED LUMENS (4000K)	999 LM	968 LM
EFFICACY	77 LM/W	74 LM/W
OTHER INFORMATION		
LUMINAIRE'S WEIGHT	15 LBS	15 LBS

### EFFICACY MULTIPLIERS

CRI	CCT	FACTOR
80+	4000K	1.00
80+	3500K	0.99
80+	3000K	0.97
80+	2700K	0.94
90+	4000K	0.89
90+	3500K	0.86
90+	3000K	0.84
90+	2700K	0.80

### LIGHT DISTRIBUTION

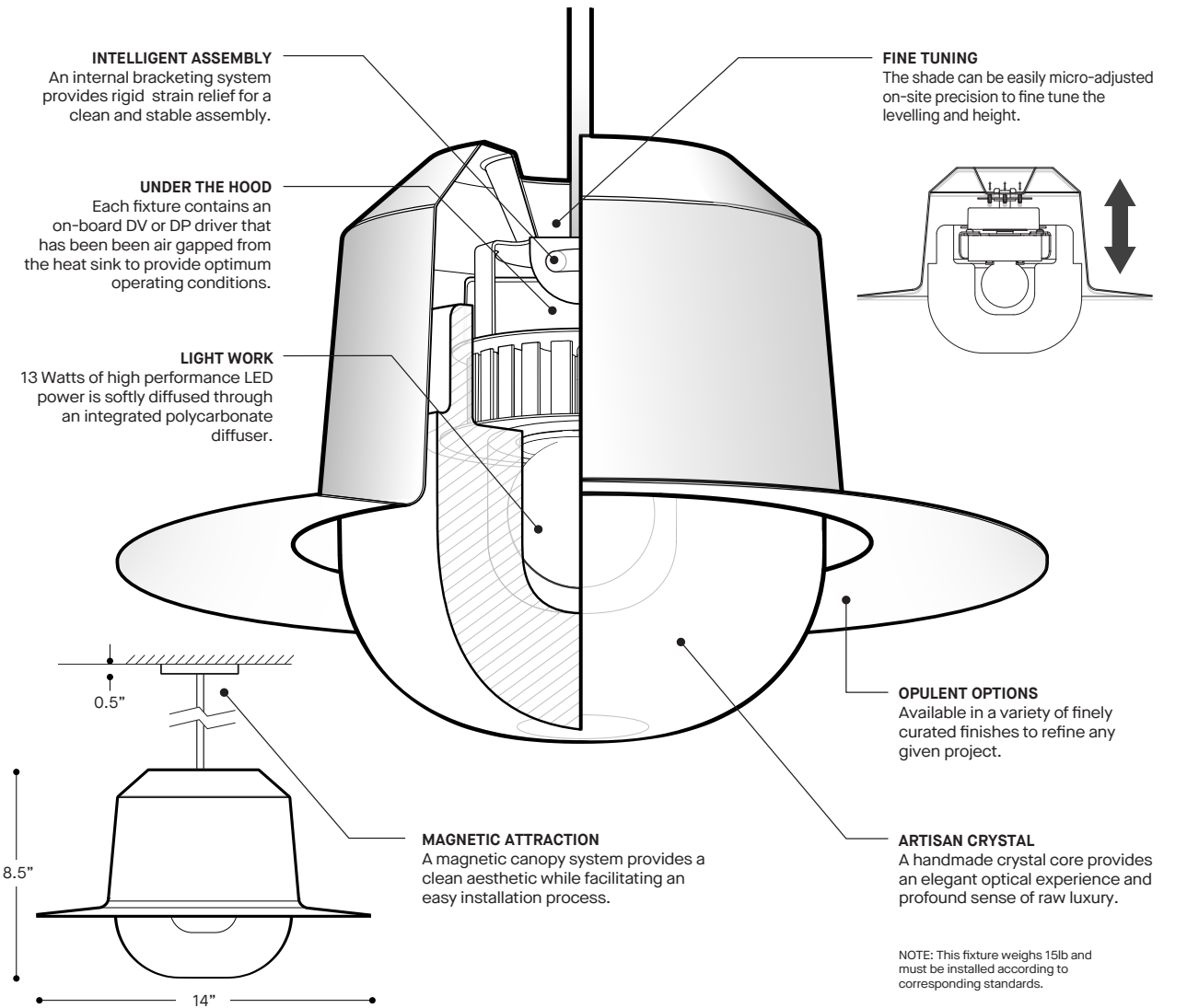


Visit our website for warranty terms and conditions.





## TECHNICAL DATA



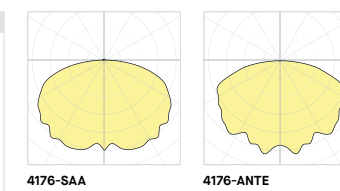
PRODUCT SPECIFICATION	4176-SAA	4176-ANTE
-----------------------	----------	-----------

PERFORMANCE		
SYSTEM WATTAGE	13 W	13 W
DELIVERED LUMENS (4000K)	925 LM	712 LM
EFFICACY	71 LM/W	55 LM/W
OTHER INFORMATION		
LUMINAIRE'S WEIGHT	15 LBS	15 LBS

### EFFICACY MULTIPLIERS

CRI	CCT	FACTOR
80+	4000K	1.00
80+	3500K	0.99
80+	3000K	0.97
80+	2700K	0.94
90+	4000K	0.89
90+	3500K	0.86
90+	3000K	0.84
90+	2700K	0.80

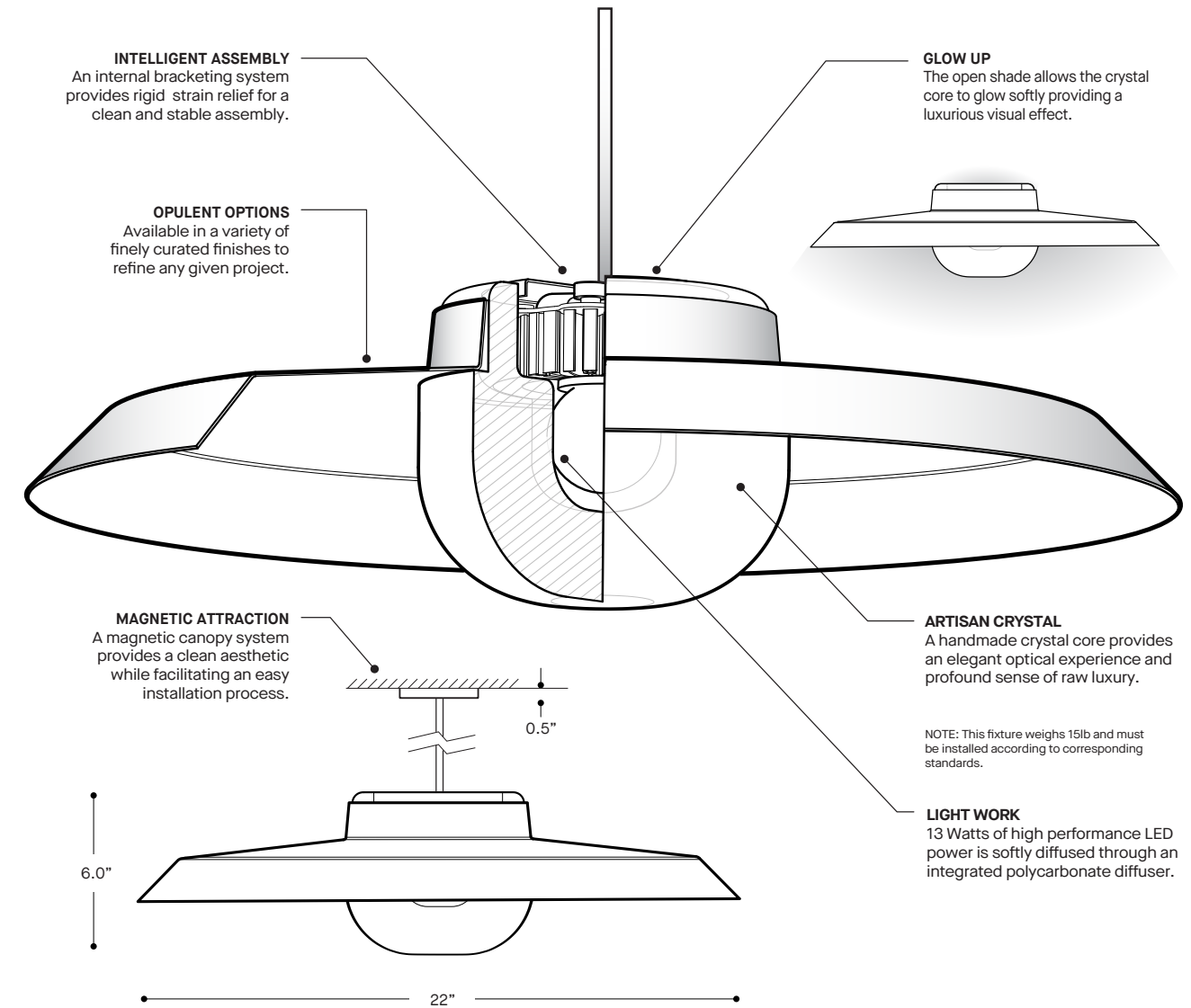
### LIGHT DISTRIBUTION







## TECHNICAL DATA

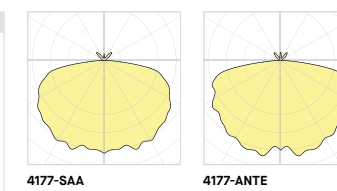


PRODUCT SPECIFICATION	4177-SAA	4177-ANTE
<b>PERFORMANCE</b>		
SYSTEM WATTAGE	13 W	13 W
DELIVERED LUMENS (4000K)	1043 LM	793 LM
EFFICACY	80 LM/W	61 LM/W
<b>OTHER INFORMATION</b>		
LUMINAIRE'S WEIGHT	15 LBS	15 LBS

### EFFICACY MULTIPLIERS

CRI	CCT	FACTOR
80+	4000K	1.00
80+	3500K	0.99
80+	3000K	0.97
80+	2700K	0.94
90+	4000K	0.89
90+	3500K	0.86
90+	3000K	0.84
90+	2700K	0.80

### LIGHT DISTRIBUTION



## MONK 4175

PROJECT PROJET
SPEC TYPE
NOTES



### OPTIONS



SAA

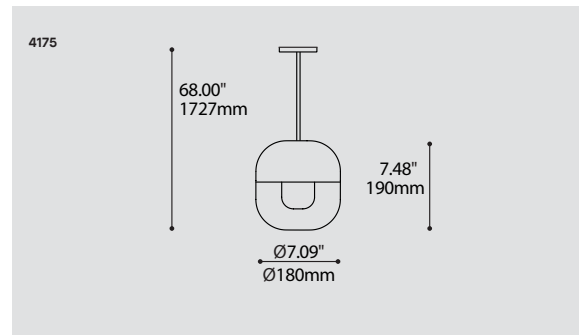
### FAMILY FAMILLE



4176



4177



ORDERING SPECIFICATION	SPÉCIFICATION DE COMMANDE	CODE
<b>MODEL</b> MODÈLE		<b>4175</b>
4175	MONK	
<b>LIGHT SOURCE</b> SOURCE LUMINEUSE		<b>LED.13</b>
<small>(WATTAGE, LAMP TYPE, OTHER INFO)</small>		
LED.13	13W, LED	
<b>COLOR TEMPERATURE</b> TEMPÉRATURE DE COULEUR		
30	3000K	
35	3500K	
40	4000K	
<b>VOLTAGE</b> VOLTAGE		
120V	120 VOLT	
277V	277 VOLT	
<b>DIMMING OPTION</b> OPTION DE GRADATION		
DV	0-10V DIMMING (120-277V)	
DP	PHASE DIMMING (120V ONLY)	
<small>LED DIMMING DRIVER IS STANDARD IN THIS PRODUCT PLEASE SPECIFY YOUR DIMMING TYPE</small>		
<b>CABLE</b> CABLE		<b>C</b>
C	CLEAR CABLE, FIELD ADJUSTABLE	
<b>CABLE LENGTH</b> LONGUEUR DE CABLE		
60	60" CABLE (STD LENGTH)	
**	CUSTOM CABLE LENGTH (PLEASE SPECIFY)	
<small>FOR OVERALL LENGTH PLEASE CONTACT YOUR EUREKA REPRESENTATIVE</small>		
<b>CANOPY FINISH</b> FINI PAVILLON		
WHE	WHITE FINE TEXTURE	
ANTE	ANTHRACITE FINE TEXTURE	
<b>SHADE FINISH</b> FINI ABAT-JOUR		
ANTE	ANTHRACITE FINE TEXTURE	
SAA	SATIN ALUMINUM ANODIZED	
<b>DIFFUSER FINISH</b> FINI DIFFUSEUR		<b>CLR</b>
CLR	CLEAR	

### PRODUCT CHARACTERISTICS CARACTÉRISTIQUES DU PRODUIT

**BIM** **DIM** **IES** **LED**

<b>DESIGN:</b>	High luxury in a modest package. The handmade crystal core is balanced with a flush fitting shade in a variety of insightful finishes. Humbly luminous on its own, or arranged in numbers. Single 5-wire power cable with integrated aircraft cable and dual strain relief. Easy on-site height adjustment and magnetic easy-installation canopy.
<b>INSTALLATION:</b>	A 13W custom LED light engine supplied with an on board 0-10V or phase dimming driver.
<b>LIGHT SOURCE:</b>	A spherical polycarbonate diffuser smoothly distributes the light source, which is then refracted through the high clarity crystal structure.
<b>DIFFUSER:</b>	Hand spun aluminum offered in a natural satin finish with a protective clear coat or painted with anthracite architectural grade fine texture powder coat.
<b>SHADE:</b>	c-CSA-us
<b>CERTIFIED:</b>	
<b>CONCEPTION:</b>	Grand luxe d'apparence modeste. Le globe de cristal fait à la main est ornémenté par un abat-jour précisément ajusté offert dans plusieurs finis inspirants.
<b>INSTALLATION:</b>	Un seul câble d'alimentation à 5 brins incorporant un câble d'acier relié à deux serres câbles. Ajustement simple de la hauteur lors de l'installation ainsi qu'un pavillon magnétique facile à installer.
<b>SOURCE LUMINEUSE:</b>	Module DEL de 13W conçu sur mesure relié à une unité d'alimentation permettant la gradation de types 0-10V ou phase.
<b>DIFFUSEUR:</b>	Une sphère de polycarbonate diffuse uniformément la projection lumineuse qui est par la suite réfractée à travers la structure extrêmement claire du cristal.
<b>ABAT-JOUR:</b>	Aluminium repoussé à la main offert en fini satin naturel avec un vernis transparent ou avec une peinture anthracite finement texturée de grade architectural.
<b>CERTIFIÉ:</b>	c-CSA-us

## DUKE 4176

PROJECT PROJET
SPEC TYPE
NOTES

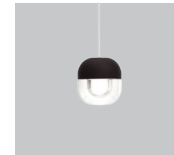


### OPTIONS



SAA

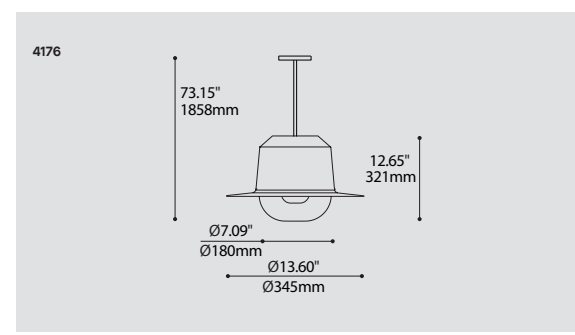
### FAMILY FAMILLE



4175



4177



ORDERING SPECIFICATION	SPÉCIFICATION DE COMMANDE	CODE
<b>MODEL</b> MODÈLE		<b>4176</b>
4176	DUKE	
<b>LIGHT SOURCE</b> SOURCE LUMINEUSE		<b>LED.13</b>
<small>(WATTAGE, LAMP TYPE, OTHER INFO)</small>		
LED.13	13W, LED	
<b>COLOR TEMPERATURE</b> TEMPÉRATURE DE COULEUR		
30	3000K	
35	3500K	
40	4000K	
<b>VOLTAGE</b> VOLTAGE		
120V	120 VOLT	
277V	277 VOLT	
<b>DIMMING OPTION</b> OPTION DE GRADATION		
DV	0-10V DIMMING (120-277V)	
DP	PHASE DIMMING (120V ONLY)	
<small>LED DIMMING DRIVER IS STANDARD IN THIS PRODUCT PLEASE SPECIFY YOUR DIMMING TYPE</small>		
<b>CABLE</b> CABLE		<b>C</b>
C	CLEAR CABLE, FIELD ADJUSTABLE	
<b>CABLE LENGTH</b> LONGUEUR DE CABLE		
60	60" CABLE (STD LENGTH)	
**	CUSTOM CABLE LENGTH (PLEASE SPECIFY)	
<small>FOR OVERALL LENGTH PLEASE CONTACT YOUR EUREKA REPRESENTATIVE</small>		
<b>CANOPY FINISH</b> FINI PAVILLON		
WHE	WHITE FINE TEXTURE	
ANTE	ANTHRACITE FINE TEXTURE	
<b>SHADE FINISH</b> FINI ABAT-JOUR		
ANTE	ANTHRACITE FINE TEXTURE	
SAA	SATIN ALUMINUM ANODIZED	
<b>DIFFUSER FINISH</b> FINI DIFFUSEUR		<b>CLR</b>
CLR	CLEAR	

### PRODUCT CHARACTERISTICS CARACTÉRISTIQUES DU PRODUIT

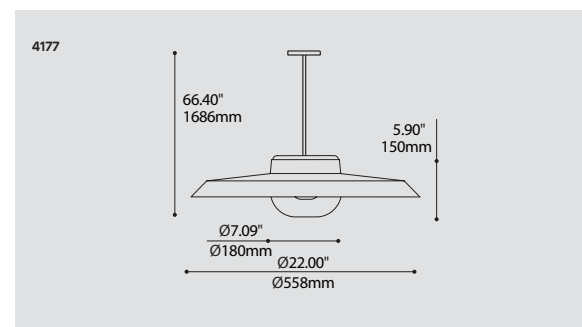
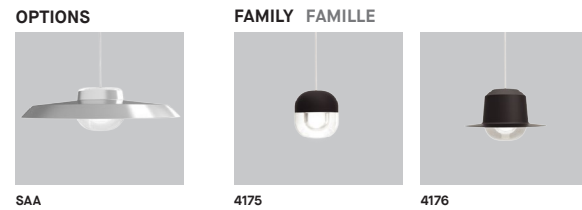
**BIM** **DIM** **IES** **LED**

<b>DESIGN:</b>	Subtle luxury with a touch of the cool. The handmade crystal core is fitted with an angular shade available in several opulent finishes. Stylish as a solo artist or grouped for an even more dramatic performance.
<b>INSTALLATION:</b>	Single 5-wire power cable with integrated air craft cable and dual strain relief. Easy on-site height adjustment and magnetic easy-installation canopy.
<b>LIGHT SOURCE:</b>	A 13W custom LED light engine is supplied with an on-board 0-10V or phase dimming driver.
<b>DIFFUSER:</b>	A spherical polycarbonate diffuser smoothly distributes the light source, which is then refracted through the high clarity crystal structure.
<b>SHADE:</b>	Hand spun aluminum offered in a natural satin finish with a protective clear coat or painted with anthracite architectural grade fine texture powder coat.
<b>CERTIFIED:</b>	c-CSA-us
<b>CONCEPTION:</b>	Le luxe, au goût du jour. Le globe de cristal fait à la main est ornémenté par un abat-jour angulaire offert dans une variété de finis attrayants. Le Duke est aussi éblouissant par lui-même que dans un ensemble, lui donnant ainsi une allure d'œuvres plus spectaculaire.
<b>INSTALLATION:</b>	Un seul câble d'alimentation à 5 brins incorporant un câble d'acier relié à deux serres câbles. Ajustement simple de la hauteur lors de l'installation et pavillon magnétique facile à installer.
<b>SOURCE LUMINEUSE:</b>	Le luminaire Duke offre une source lumineuse DEL de 13W reliée à une unité d'alimentation permettant la gradation de types 0-10V ou phase.
<b>DIFFUSEUR:</b>	Une sphère de polycarbonate diffuse uniformément la projection lumineuse qui est par la suite réfractée à travers la structure extrêmement claire du cristal.
<b>ABAT-JOUR:</b>	Aluminium repoussé à la main offert en fini satin naturel avec un vernis transparent ou avec une peinture anthracite finement texturée de grade architectural.
<b>CERTIFIÉ:</b>	c-CSA-us



# COUNT 4177

PROJECT PROJET
SPEC TYPE
NOTES



ORDERING SPECIFICATION SPÉCIFICATION DE COMMANDE		CODE
MODEL MODÈLE		4177
4177	COUNT	
LIGHT SOURCE SOURCE LUMINEUSE		LED.13
<small>(WATTAGE, LAMP TYPE, OTHER INFO)</small>		
LED.13	13W, LED	
COLOR TEMPERATURE TEMPÉRATURE DE COULEUR		
30	3000K	
35	3500K	
40	4000K	
VOLTAGE VOLTAGE		
120V	120 VOLT	
277V	277 VOLT	
DIMMING OPTION OPTION DE GRADATION		
DV	0-10V DIMMING (120-277V)	
DP	PHASE DIMMING (120V ONLY)	
<small>LED DIMMING DRIVER IS STANDARD IN THIS PRODUCT. PLEASE SPECIFY YOUR DIMMING TYPE.</small>		
CABLE CABLE		C
C	CLEAR CABLE, FIELD ADJUSTABLE	
CABLE LENGTH LONGUEUR DE CABLE		
60	60" CABLE (STD LENGTH)	
**	CUSTOM CABLE LENGTH (PLEASE SPECIFY)	
<small>FOR OVERALL LENGTH PLEASE CONTACT YOUR EUREKA REPRESENTATIVE.</small>		
CANOPY FINISH FINI PAVILLON		
WHE	WHITE FINE TEXTURE	
ANTE	ANTHRACITE FINE TEXTURE	
SHADE FINISH FINI ABAT-JOUR		
ANTE	ANTHRACITE FINE TEXTURE	
SAA	SATIN ALUMINUM ANODIZED	
DIFFUSER FINISH FINI DIFFUSEUR		CLR
CLR	CLEAR	
ACCESSORY ACCESSOIRE		3983
3983	DEEP JUNCTION BOX (PROVIDED)	

## PRODUCT CHARACTERISTICS CARACTÉRISTIQUES DU PRODUIT

- BIM
- DIM
- IES
- LED

**DESIGN:** A regal marriage of luxury and functionality. The handmade crystal core is surrounded by a wide brimmed shade available in a variety of sophisticated finishes. The shades open top exposes the softly glowing crystal core for an understated sense of elegance.

**INSTALLATION:** Single 3-wire power cable with integrated aircraft cable and dual strain relief. Magnetic easy-installation canopy.

**LIGHT SOURCE:** A 13W custom LED light engine supplied with an on board 0-10V or phase dimming driver.

**DIFFUSER:** A spherical polycarbonate diffuser smoothly distributes the light source, which is then refracted through the high clarity crystal structure.

**SHADE:** Hand spun aluminum offered in a natural satin finish with a protective clear coat or painted with anthracite architectural grade fine texture powder coat.

**CERTIFIED:** c-CSA-us

**CONCEPTION:** L'union parfaite entre le luxe et la fonctionnalité. Le globe de cristal fait à la main est surplombé par un vaste abat-jour offert dans une variété de finis sophistiqués. Le dessus ouvert de l'abat-jour expose le globe de cristal illuminé lui donnant ainsi un effet grandiose.

**INSTALLATION:** Un seul câble d'alimentation à 3 brins incorporant un câble d'acier relié à deux serres câbles. Pavillon magnétique facile à installer.

**SOURCE LUMINEUSE:** Module DEL de 13W conçu sur mesure relié à une unité d'alimentation permettant la gradation de types 0-10V ou phase.

**DIFFUSEUR:** Une sphère de polycarbonate diffuse uniformément la projection lumineuse qui est par la suite réfractée à travers la structure extrêmement claire du cristal.

**ABAT-JOUR:** Aluminium repoussé à la main offert en fini satin naturel avec un vernis transparent ou avec une peinture anthracite finement texturée de grade architectural.

**CERTIFIÉ:** c-CSA-us

# Photometrics

## Monk

4175-LEDX013-COP

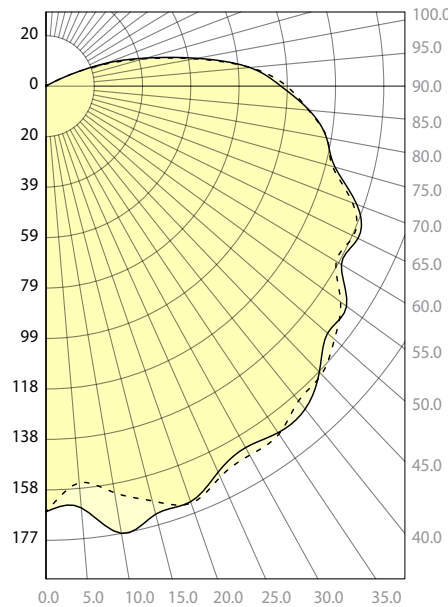
CCT (K):	3000/4000
Initial lumens (lm):	1700
Delivered lumens (lm):	1025
Input watts (W):	12.7
Number of LED's:	1
Lumens per LED:	1700
Distribution:	Direct
Efficiency (%):	60.3
Efficacy (lm/W):	80.7
Photometric type	C

### Luminous dimensions

Luminous shape:	Rectangle
Units:	in (mm)
0-180 Axis:	7.87 (200.00)
90-270 Axis:	7.87 (200.00)
Height:	7.87 (200.00)

### Luminaire spacing criteria

2 luminaires, plane 0:	58.26 (1480)
2 luminaires, plane 90:	59.44 (1510)
4 luminaires:	65.74 (1670)



## Duke

4176-LEDX013-COP

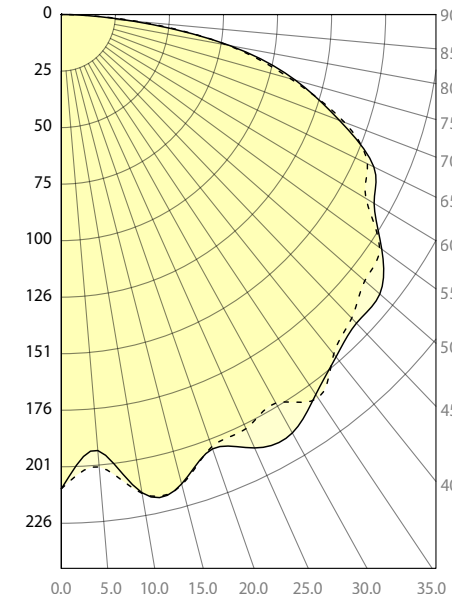
CCT (K):	3000/4000
Initial lumens (lm):	1700
Delivered lumens (lm):	925
Input watts (W):	12.7
Number of LED's:	1
Lumens per LED:	1700
Distribution:	Direct
Efficiency (%):	54.4
Efficacy (lm/W):	72.8
Photometric type	C

### Luminous dimensions

Luminous shape:	Rectangle
Units:	in (mm)
0-180 Axis:	11.81 (300.00)
90-270 Axis:	11.81 (300.00)
Height:	7.87 (200)

### Luminaire spacing criteria

2 luminaires, plane 0:	57.87 (1470)
2 luminaires, plane 90:	58.26 (1480)
4 luminaires:	65.35 (1660)



## Count

4177-LEDX013-COP

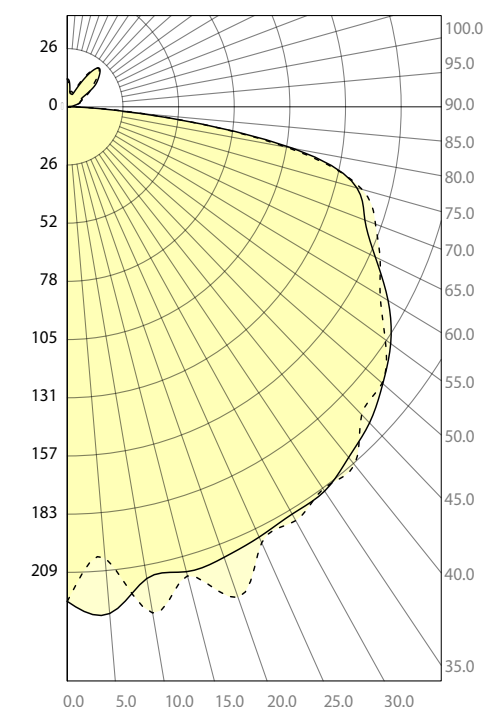
CCT (K):	3000/4000
Initial lumens (lm):	1700
Delivered lumens (lm):	1043
Input watts (W):	12.7
Number of LED's:	1
Lumens per LED:	1700
Distribution:	Semi-Direct
Efficiency (%):	61.3
Efficacy (lm/W):	82.1
Photometric type	C

### Luminous dimensions

Luminous shape:	Rectangle
Units:	in (mm)
0-180 Axis:	23.62 (600.00)
90-270 Axis:	23.62 (600.00)
Height:	7.87 (200)

### Luminaire spacing criteria

2 luminaires, plane 0:	53.93 (1370)
2 luminaires, plane 90:	56.69 (1440)
4 luminaires:	62.20 (1580)





Monk 4175  
Duke 4176  
Count 4177